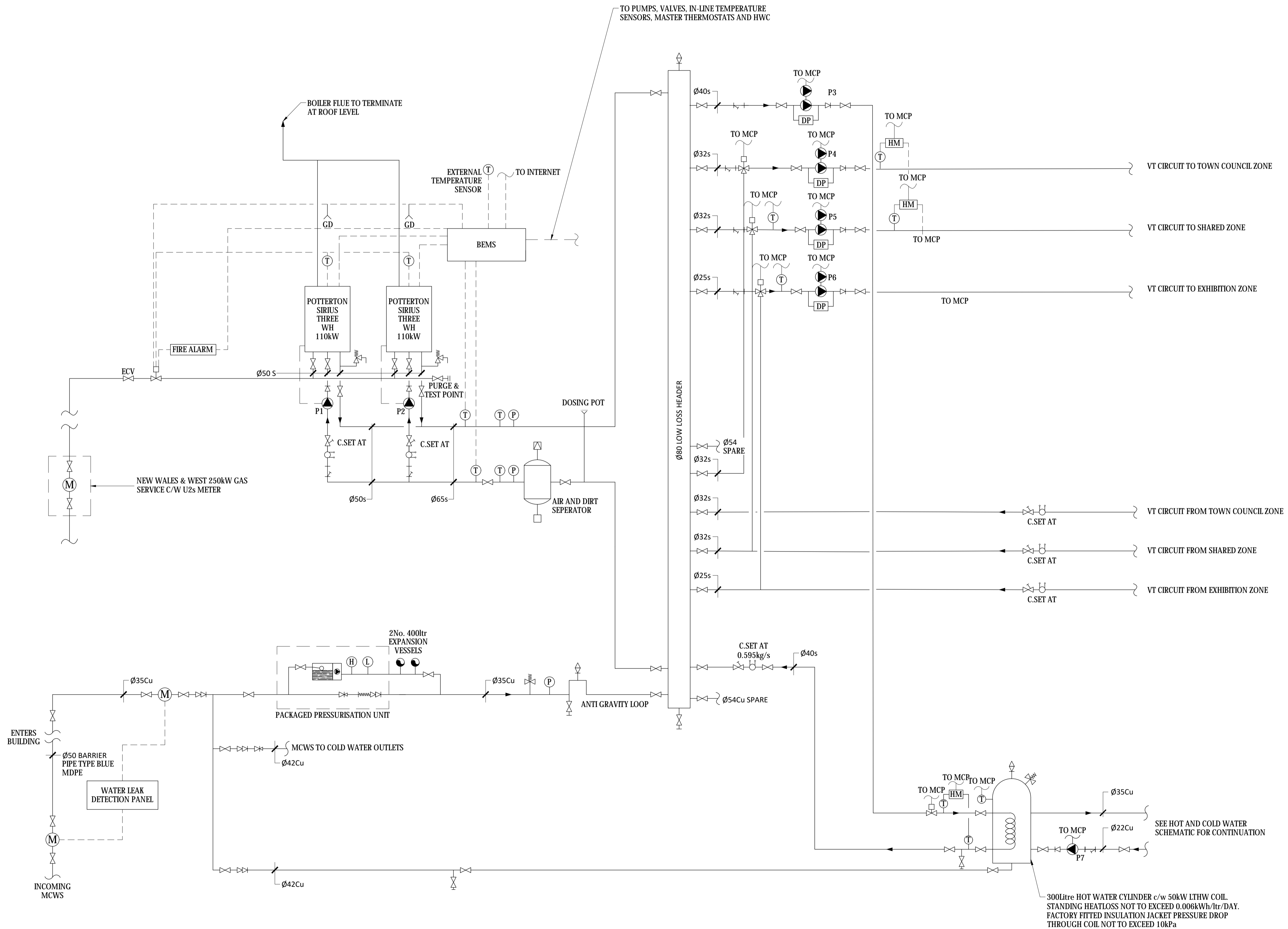


PUMP SCHEDULE

P1	GRUNDFOS MAGNA 3 80-80
P2	GRUNDFOS MAGNA 3 80-80
P3	GRUNDFOS MAGNA 3 32-40D
P4	GRUNDFOS MAGNA 3 32-80D
P5	GRUNDFOS MAGNA 3 50-180D
P6	GRUNDFOS MAGNA 3 50-180D
P7	GRUNDFOS ALPHA 2 32-60 B



Legend:

- ISOLATION VALVE
- DOUBLE REGULATING VALVE
- ORIFICE PLATE
- COMMISSIONING SET
- STRAINER
- MOTORISED 2-PORT VALVE
- PRESSURE RELIEF VALVE
- SINGLE HEAD PUMP SET (AIR COOLED) WITH FLEXIBLE CONNECTIONS
- TWIN HEAD PUMP SET (AIR COOLED) WITH FLEXIBLE CONNECTIONS
- NON RETURN VALVE
- DOUBLE CHECK VALVE
- EXPANSION VESSEL
- AUTOMATIC AIR VENT
- DRAIN COCK
- IN-LINE TEMPERATURE SENSOR
- METER (WATER/GAS/ELECTRICITY)
- ULTRASONIC HEAT METER
- DIFFERENTIAL PRESSURE SWITCH
- GAS DETECTOR
- QUICK FILL LOOP
- PRESSURE GAUGE
- PRESSURE REDUCING VALVE (INITIALLY SET AT 3 BAR)
- PACKAGED PRESSURISATION UNIT & EXPANSION VESSEL

Notes:

- DO NOT SCALE THIS DRAWING. ALL DIMENSIONS IN MILLIMETRES.
- THIS DRAWING TO BE READ IN CONJUNCTION WITH ALL RELEVANT DRAWINGS AND THE M&E SPECIFICATION.
- ALL ITEMS OF EQUIPMENT SHALL BE INSTALLED AS TO THE MANUFACTURERS RECOMMENDATIONS.
- AUTOMATIC AIR VENTS REQUIRED ON ALL HIGH POINTS (NOT SHOWN ON SCHEMATIC).
- ALL PIPEWORK UNLESS SHOWN OTHERWISE TO BE MEDIUM GRADE STEEL TO BS EN 10255:2004.

T01	07.03.19	EIL	TXK	NJS	TENDER ISSUE
Rev	Date	By	Chk	Aprvd	Description

PROJECT
Travistock Guildhall

CLIENT
Tavistock Guildhall

Method Consulting



www.methodllp.com Swindon Tel: 01793 822044

DRAWING TITLE
Plant Room Schematic

SUITABILITY
D2 - FOR TENDER

DATE	SCALE	DRWN BY	CHK BY	APVD BY
14.02.19	NTS - A1	OJR	TXK	NJS

DRAWING NUMBER	REVISION NO.
716LGH-MET-00-XX-DR-M-60_40-8001	D2- T01

Scaling Note: Do NOT scale from this drawing.